

NITRODOSE[®] G2 SERVODOSER[™]

Liquid Nitrogen Injection System

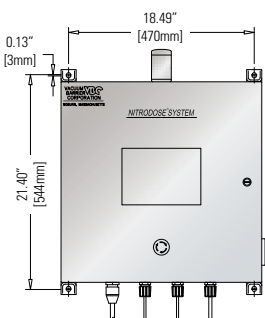
The highest level of control in liquid nitrogen dosing. Adjustable flow rate during discrete and continuous dosing without a nozzle change.

Features unique to SERVODOSER:

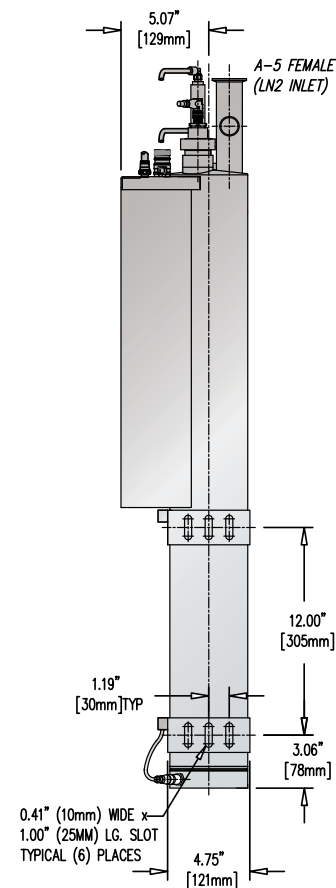
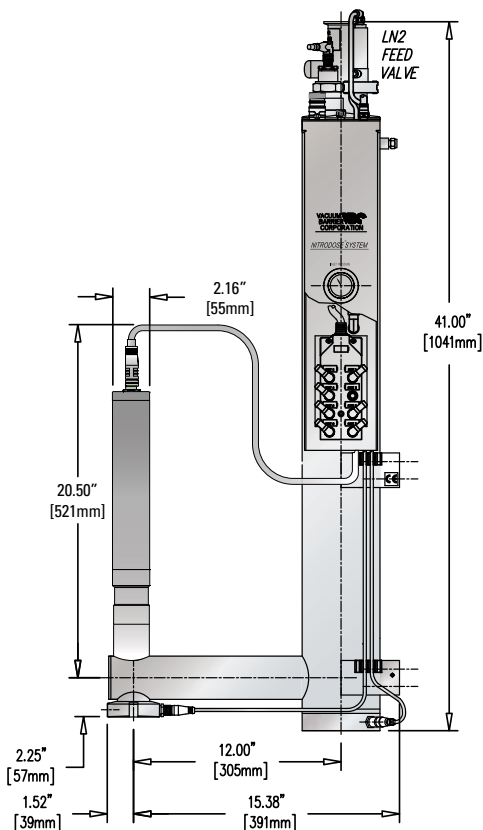
- Accuracy of dose weight +/- 1%
- Dose stroke verification
- Programmable motion profile dosing valve
- Long life servo actuator

Since 1958

Control panels



Doser views



Features	NITRODOSE® G2 SERVODOSER™
Maximum Discrete Dosing Speed (CPM)	2000
Continuous Stream Capabilities	adj
Allen Bradley PLC	ML1400
Siemens PLC	S7-1200
AB Panelview Component 800, 7" touchscreen HMI	color
Siemens KTP 700, 7" touchscreen HMI	color
Minimum Dose Duration	4 ms
Smartsync Technology	std
Real-Time Graphical User Interface (GUI)	std
Speed & Dose Compensation	std
Recipe Storage	10
Five on-board languages	std
Continually self-monitored for alarm conditions	std
Number of built-in alarm relays	2
Maximum direct LN ₂ feed pressure, psi (bar)	125 (8.6)
Required air pressure, psi (bar)	50 - 100 (3.4 - 6.9)
Rapid warm-up feature	std
Electronic dosing valve	servo
Clean hygienic design	std
Lowest dosing pressure, 0.3 psi (0.02 bar)	std
Self-Generating N ₂ purge	std
Sub-cooled LN ₂ to improve dosing accuracy	std
Automatic CIP Protection	opt
Directional Dose Dispersion blocks	opt
Dosing Software for In-Line Fillers/Cappers	opt

4-year warranty on all systems.