

# EasyDose G2 Lite, G2, and G2 Plus

## Liquid Nitrogen Injection System

Liquid nitrogen dosing systems named for their simplicity of installation and operation with a system available to meet line speeds up to 2000 CPM.

Features standard to all models:

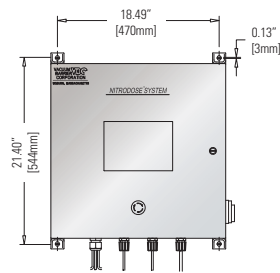
- Accurate to +/- 3 dose weight
- Maximum direct LN<sub>2</sub> feed pressure, 22 psi (1.5 bar)
- High cycle-life electric dosing valve
- Self-generating N<sub>2</sub> purge
- Sub-cooled LN<sub>2</sub> to improve dose accuracy
- Optional automatic CIP protection

Since 1958

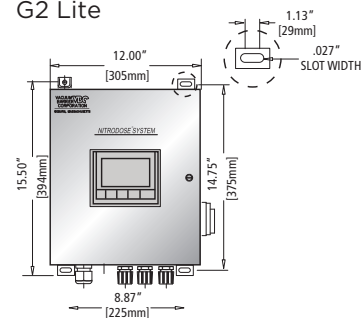
### Control panels



### G2 and G2 Plus



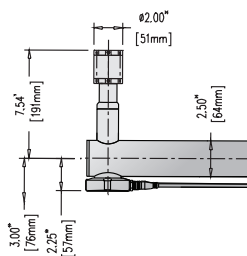
### G2 Lite



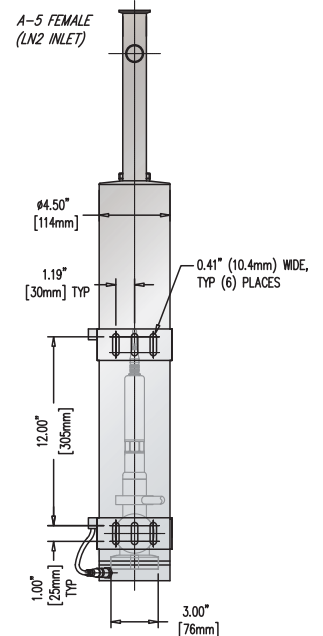
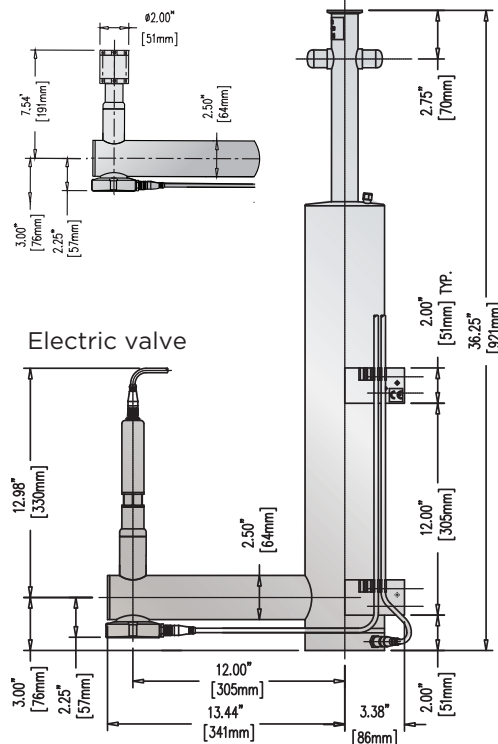
### Doser views



### Pneumatic valve



### Electric valve



Features	EasyDose G2 Lite	EasyDose G2	EasyDose G2 Plus
Maximum Discrete Dosing Speed (CPM)	450	450	2000
Continuous Stream Capabilities		std	std
Allen Bradley PLC		ML1100	ML1400
Siemens PLC	S7-1200	S7-1200	S7-1200
AB Panelview Component 800, 7" touchscreen HMI		color	color
Siemens KTP 700, 7" touchscreen HMI	color (4")	color	color
Minimum Dose Duration	25 ms	25 ms	6 ms
Smartsync Technology		std	std
Accuracy by dose weight	+/- 3%	+/- 3%	+/- 3%
Real-Time Graphical User Interface (GUI)	std	std	std
Speed & Dose Compensation	speed only	std	std
Recipe Storage		10	10
Five on-board languages	universal symbols	std	std
Continually self-monitored for alarm conditions	std	std	std
Number of built-in alarm relays		1	1
Maximum direct LN <sub>2</sub> feed pressure, psi (bar)	22 (1.5)	22 (1.5)	22 (1.5)
Electronic dosing valve	std	std	std
Low-Profile Pneumatic Valve to fit confined spaces (50-100 psi/3.4-6.9 bar)	opt	opt	
Clean hygienic design	std	std	std
Lowest dosing pressure, 0.3 psi (0.02 bar)	std	std	std
Self-Generating N <sub>2</sub> purge	std	std	std
Sub-cooled LN <sub>2</sub> to improve dosing accuracy	std	std	std
Automatic CIP Protection	opt	opt	opt
Directional Dose Dispersion blocks		opt	opt
Dosing Software for In-Line Fillers/Cappers		opt	opt

**4-year warranty on all systems.**



4 Barten Lane, Woburn, MA 01801  
T 781 933 3570 | F 781 932 9428  
sales@vacuumbarrier.com  
**vacuumbarrier.com**